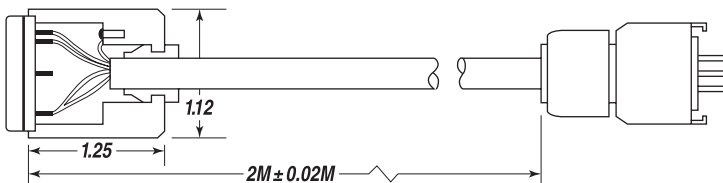
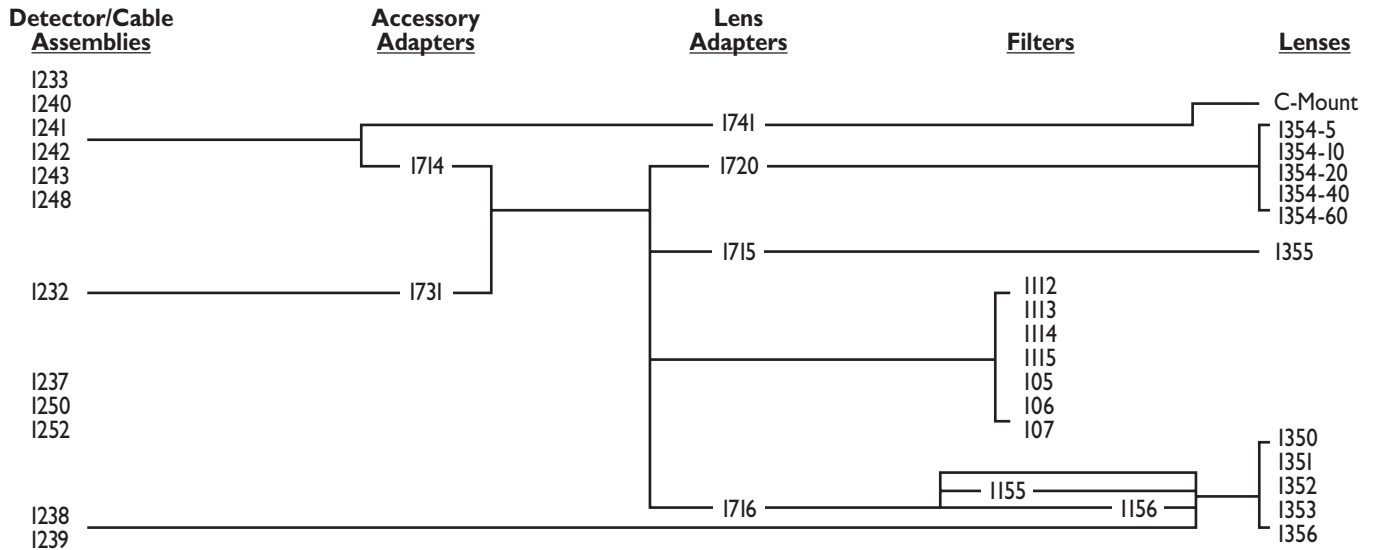


Accessories

Detector/Cable Assembly/Accessory Configuration Guide



Model I248

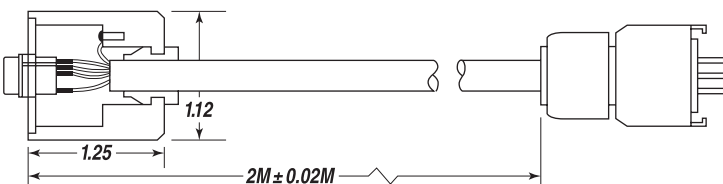
1cm x 1cm duo-lateral detector.
Compatible with 531 only.

Model I233

1cm x 1cm tetra-lateral detector.
Compatible with Models 531 and 431.

Model I240

1cm diameter quadrant detector.
Compatible with Models 531 and 431.



Model I241

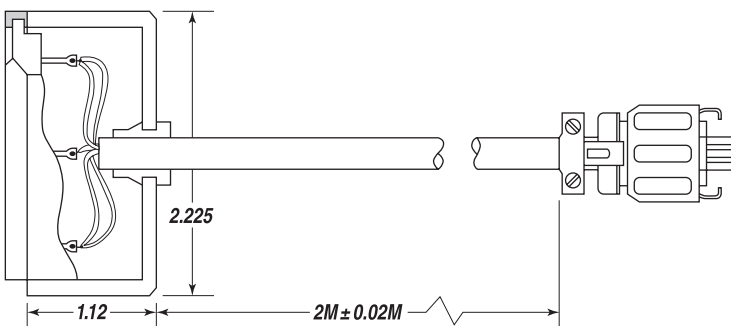
2.5mm x 2.5mm tetra-lateral detector.
Compatible with Models 531 and 431.

Model I242

2.5mm x 2.5mm quad cell.
Compatible with Models 531 and 431.

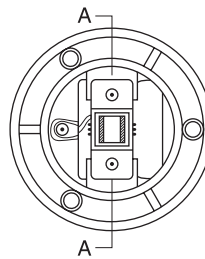
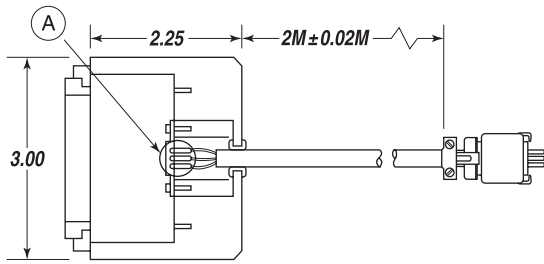
Model I243

2.5mm x 2.5mm bi-cell.
Compatible with Model 301-DIV and 301B-AC.



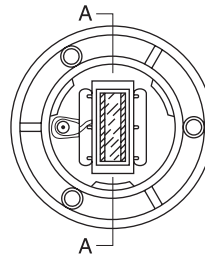
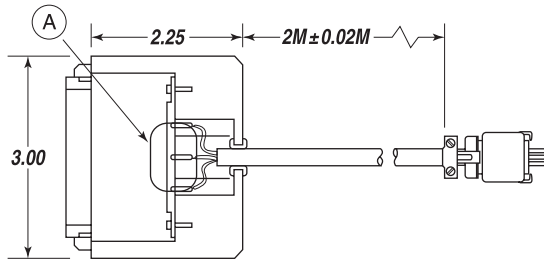
Model I237

44mm diameter tetra-lateral detector.
Compatible with Models 531 and 431.



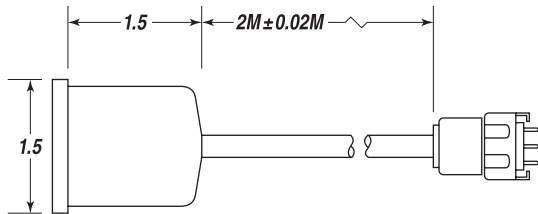
**Model 1238
Detector/Cable Assembly
with 35mm Lens Adapter.**

11.5mm single axis lateral-effect detector compatible with Models 301-DIV and 301B-AC. Compatible with optional Models 1350, 1351, 1352, & 1353 lenses.

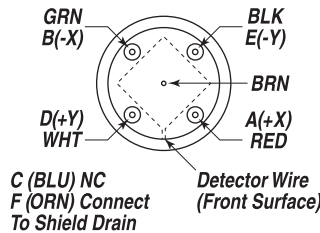


**Model 1239
Detector/Cable Assembly
with 35mm Lens Adapter.**

30mm long single axis lateral-effect detector compatible with the Model 301-DIV and 301B-AC. Compatible with optional Models 1350, 1351, 1352, & 1353 lenses.

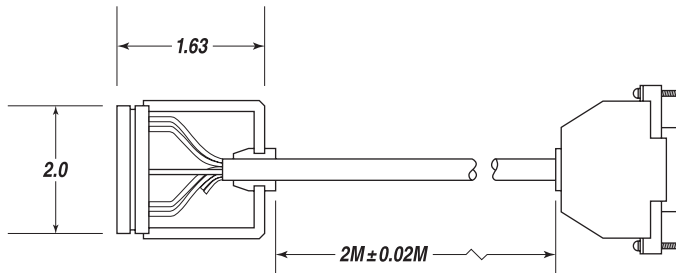


Detector Wiring Diagram



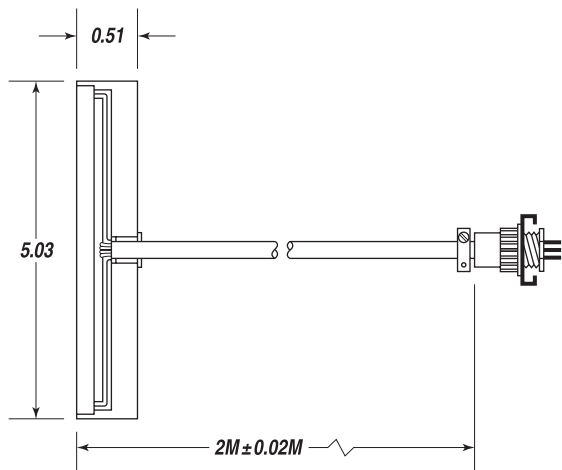
**Model 1232
Detector/Cable Assembly
with 20mm x 20mm
tetra-lateral detector.**

Compatible with Models 531 and 431.



**Model 1250
Detector/Cable Assembly
with 20mm x 20mm
duo-lateral detector.**

Compatible with Model 531 only.



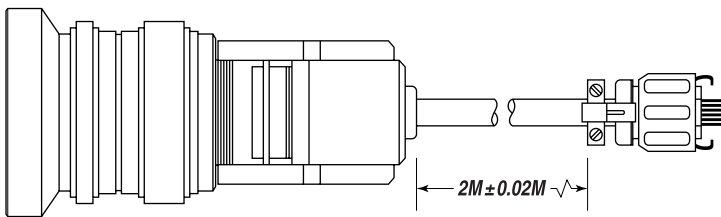
**Model 1252
Detector/Cable Assembly
with 76mm long single-axis
lateral-effect detector.**

Compatible with Model 301-DIV and 301B-AC.

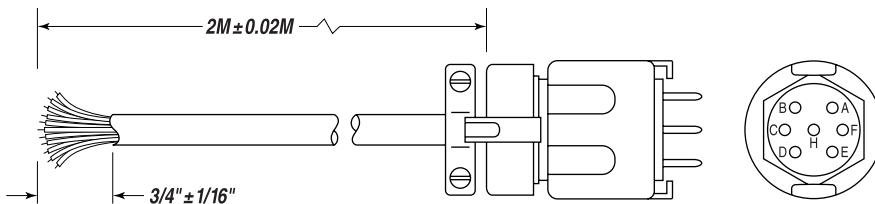
Accessories

Model #	Focal Length	Aperture	Field of View	Minimum Object Distance	Object Size At Minimum Object Distance		Clear Aperture Diameter		Filter Size	Mechanical Dimension		
			Horiz.		Horiz.	Vert.	Front	Rear		Max.Dia.	Length	Weight
272	75.0 mm	f/1.4-22C	9.9°	1.0 m	16.8 in	12.5 in	53.0 mm	18.0 mm	58.0 x 0.75 mm	62.0 mm	72.0 mm	380 g
273	50.0 mm	f/1.3-16C	14.6°	1.0 m	25.6 in	19.2 in	38.0 mm	13.9 mm	46.0 x 0.75 mm	48.0 mm	51.5 mm	201 g
274	12.5 mm	f/1.3-16C	55.5°	0.4 m	40.4 in	30.3 in	30.2 mm	16.8 mm	40.5 x 0.50 mm	43.0 mm	47.5 mm	137 g
275	25.0 mm	f/1.3-16C	29.2°	0.4 m	25.6 in	19.2 in	19.4 mm	18.5 mm	40.5 x 0.50 mm	43.0 mm	38.0 mm	105 g

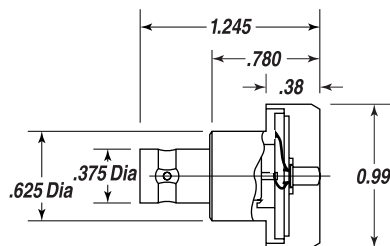
The above Detector/Lens Assemblies for UDT Instruments listed in this guide consist of I233 Detector/Cable Assembly, I741 Adapter, C-Mount Lens, and Visible Blocking Filter.



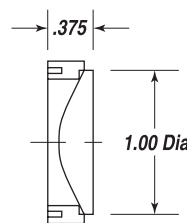
Model 272, 273, 274 and 275
Comprising C-mount lens, Model I741 adapter, visible blocking filter and Model I233 detector/cable assembly.



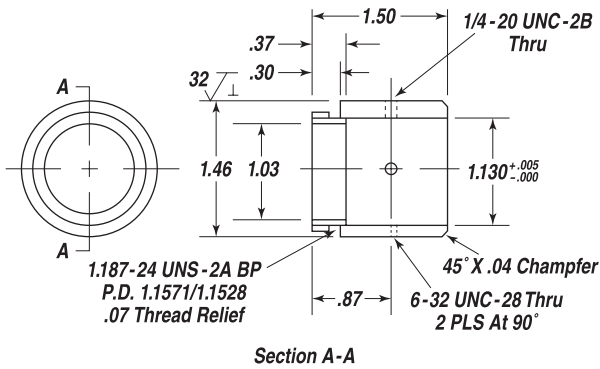
Model I809
For connecting customer owned detectors to Models 431, 301-DIV and 301B-AC.



Model 266 LED
Compatible with Model 431 only.

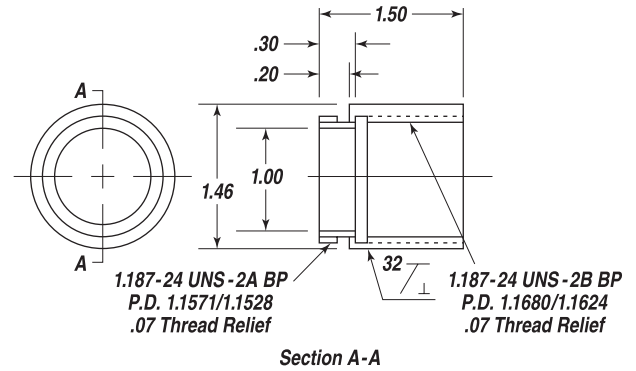


Model I355
15mm focal length lens assembly.
For use with Model I715 holder/adapter only.



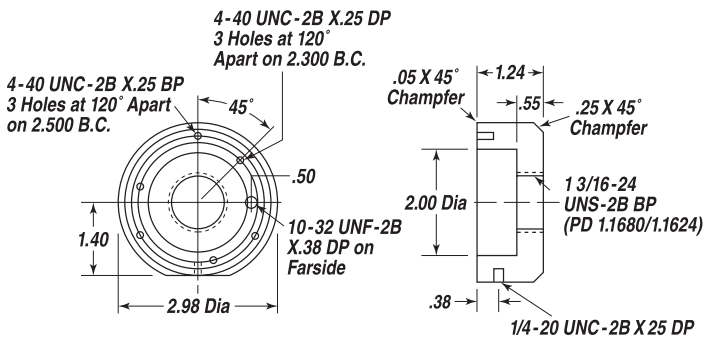
Model I714

Holder/Adapter for I233, I240, I241, I242, I243 and I248 to standard threads.



Model I715

1-inch Lens Adapter/Holder.

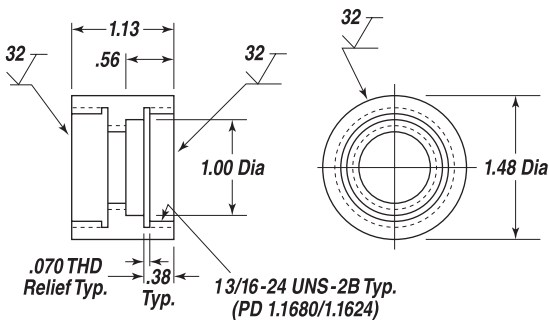


Model I716

Adapter to 35mm camera lens for I233, I240, I241, I242, I243 and I248.

Lenses. These lenses are compatible with the Model I716 adapter only.

Model No.	Focal Length	f/#	Focal Distance ft (m)
I350	50 mm	f/1.8	1.6 (0.4)
I351	50 mm (Macro)	f/2.8+	1:1 conjugates
I352	135 mm	f/2.8	7 (2.1)
I353	400 mm	f/6.3	22 (6.7)



Model I720

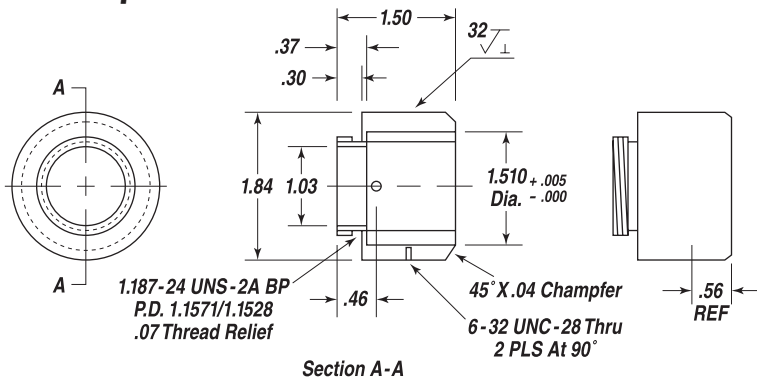
Microscope Objective Adapter.

Microscope Objective Lenses. These lenses are compatible with the Model I720 adapter only.

Model No.	Power	Focal Length	f/#	Working Distance
I354-1	1X	80.0 mm	8.3	155 mm
I354-5	5X	30.0 mm	10.0	20.0 mm
I354-10	10X	160.0 mm	3.0	6.0 mm
I354-20	20X	9.0 mm	2.0	3.2 mm
I354-40	40X	5.0 mm	1.5	0.3 mm
I354-60	60X	3.0 mm	1.2	<0.3 mm

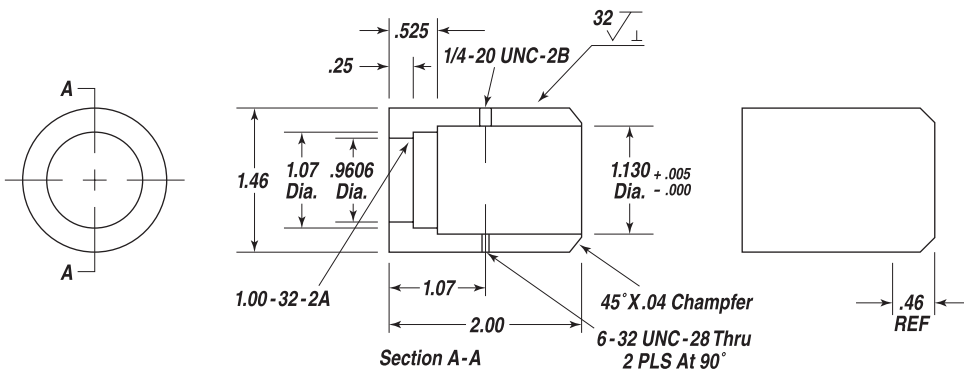
Accessories

Adapters



Model 1731

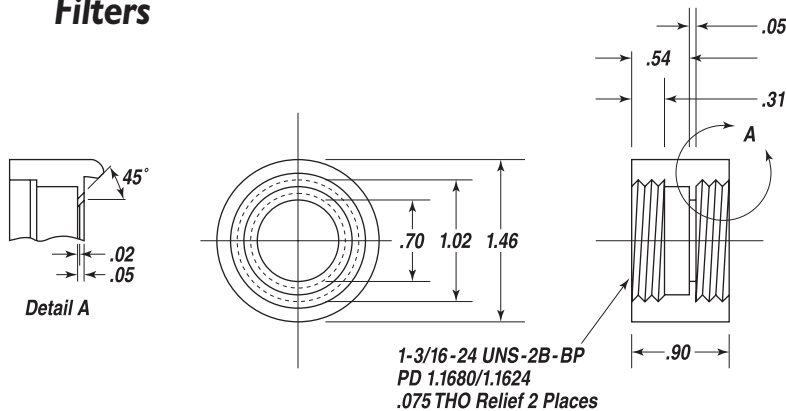
Holder/Adapter for Model 1232 to UDT Instruments threads.



Model 1741

C-Mount Lens Adapter for Models 1241, 1242, 1240, 1233, 1243 and 1248.

Filters

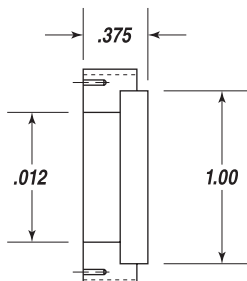


Bandpass filters [15 nm FWHM]

Model 1112 - 632.8 nm
Model 1113 - 905 nm
Model 1114 - 1064 nm
Model 1115 - 514.4 nm

Neutral Density filters

Model 105 ND1
Model 106 ND2
Model 107 ND3
Compatible with Models 1714, 1715 & 1731 only.



Model 1155

Visible-Light Blocking Filter in threaded ring for use with Models 1715 and 1716 only.

Model 1156

633 nm (HeNe) Narrow Bandpass Filter Assembly in Threaded Ring for use with Models 1715 and 1716 only.